

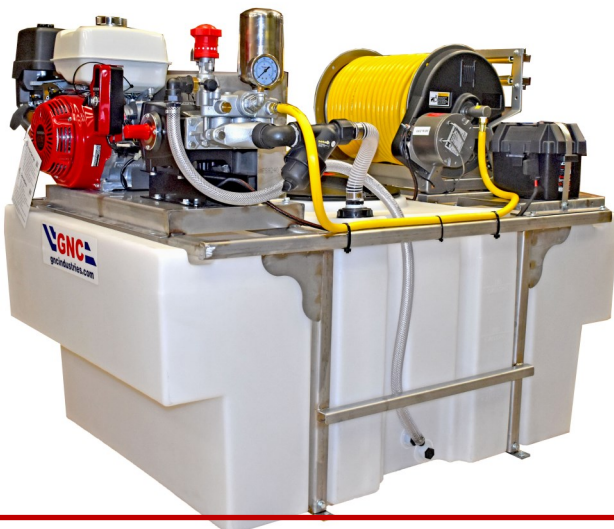
300 Gallon Space Saver 15gpm

ITEM NUMBER 21-83SSXX-P550

Piston Pump 15gpm Capacity

- 300 Gal Space Saver Tank
- Stainless Steel Frame with Risers
- P550 15gpm Piston Pump
- Electric Start Honda GX-390 (11hp)

- Easy Access Suction Filter
- Jet Agitation
- Air Gap Backflow Prevention
- 16" Lockable Lid
- Upgradeable to Turn Key (as shown)



Base Sprayers	Pumps
21-83SSXX-P550	P550 Piston
21-83SSXX-KA55	Kappa 55 Diaphragm
21-83SVXX-P550	Upgrade P550 to Turn-Key
Reel Packages	Reel & Hose
53-HA1526-0	Hannay 18" Manual 1/2" x 300'
53-HA1526-1	Hannay 18" Manual 3/8" x 400'
53-HAE1526-0	Hannay 18" Electric 1/2" x 300'
53-HAE1526-1	Hannay 18" Electric 3/8" x 400'
HA-9939-1018	18" Roller Guides

18" Hose Reel and Hose Sold Separately

ACCESSORIES



22-210000: Sprayer Cover *
20.5"H x 24"L x 19"W



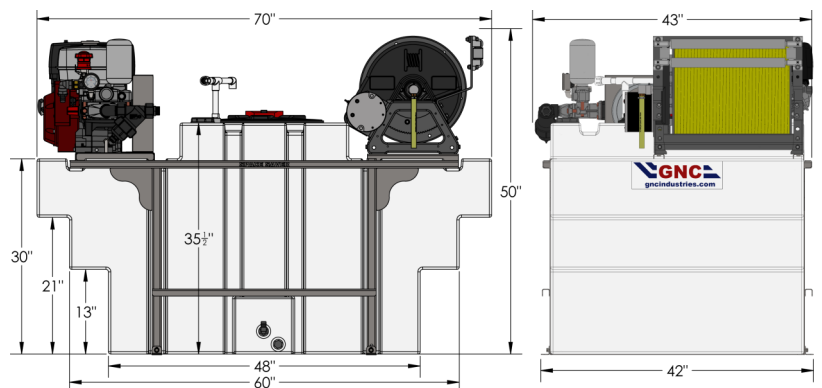
11-855-00
Mag-1 Do-All



Quick Connect Set
FT-QD38TW - 3/8" Hose
FT-QD12TW - 1/2" Hose



11-852-00
Mag-1 Original



Weight

450 lbs Empty 3050 lbs Full
Approx 570 lbs Shipping