

325 Gallon Poly Skid

ITEM NUMBER 21-83LGXX-P530

Piston Pump

8gpm Capacity

- 325 Gallon Poly Tank w/16" Lid
- Stainless Steel Frame with Risers
- P530 8gpm Piston Pump
- Manual Start Honda GX-160

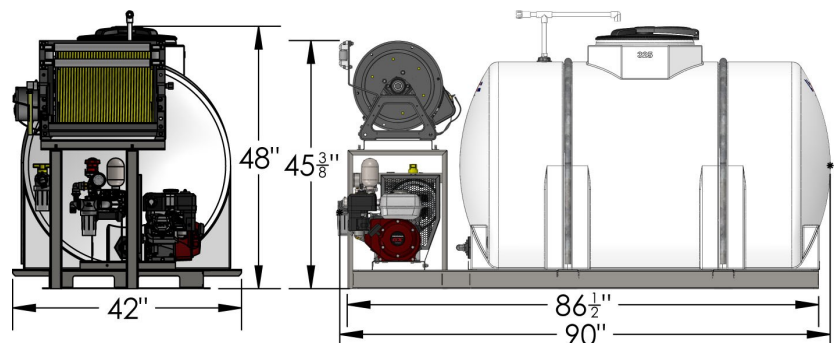
- Easy Access Suction Filter
- Jet Agitation
- Air Gap Backflow Prevention
- Steel Bands



Base Sprayers	Pumps
21-83LGXX-P530	P530 Piston
21-83-LGXX-KA43	Kappa 43 Diaphragm
23-990020	Upgrade P530 to Turn-Key
Reel Packages	Reel & Hose
53-HA1526-0	Hannay 18" Manual 1/2" x 300'
53-HA1526-1	Hannay 18" Manual 3/8" x 400'
53-HAE1526-0	Hannay 18" Electric 1/2" x 300'
53-HAE1526-1	Hannay 18" Electric 3/8" x 400'
HA-9939-1018	18" Roller Guides

18" Hose Reel and Hose Sold Separately

ACCESSORIES



Weight

450 lbs Empty

2100 lbs Full

Approx 550 lbs Shipping