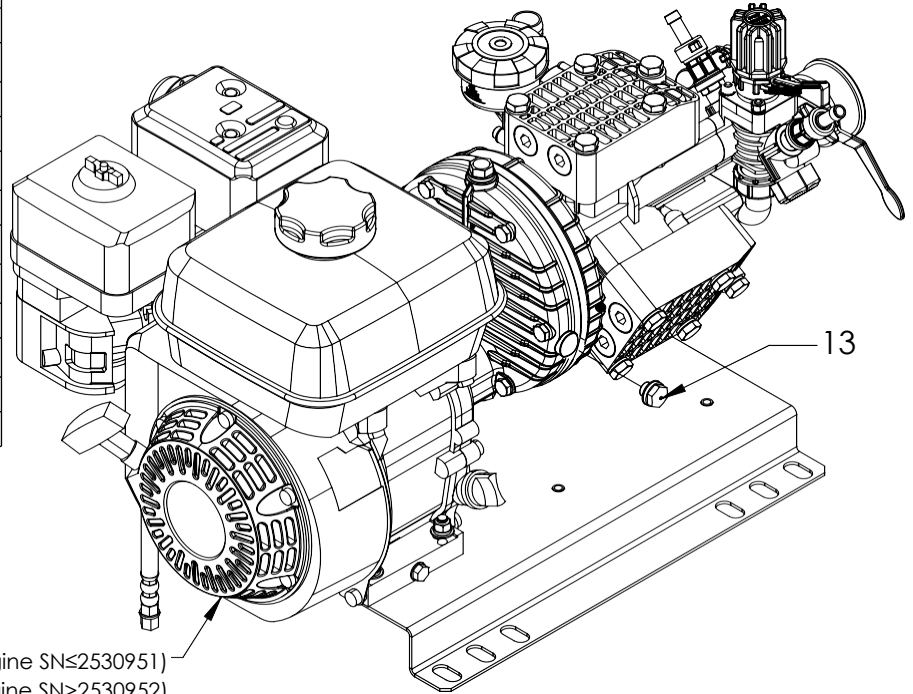


#	PART #	DESCRIPTION	QTY.
1	EN-HM55	Honda GX160	1
2	EN-210002	Honda Muffler Deflector	1
3	FR-11613PE *	Pump/Engine Plate Small	1
4	UD-KAPPA43GR	Kappa 43 Pump w/Gear Box	1
5	UD-02-6010.93	Kappa 43 Control Unit	1
6	UD-02-5071.75	Gear Box	1
7	UD-02-1101.93	O-Ring Gear Box	1
8	UD-02-1807.08	Bolt	1
9	UD-02-0604.18	Barb Nut	1
10	UD-02-1101.41	O-Ring Suction Elbow	1
11	UD-02-0202.18	Suction Elbow	1
12	UD-02-6033.13	Oil Reservoir Assembly	1
13	UD-02-1603.69	Gear Box Sight Plug	1
14	UD-02-0004.18	3/4" Gear Shaft Udor	1
15	UD-06-GG350BM	350PSI Pressure Gauge	1
16	EP-210101	Tach/Hour Meter	1
17	EN-210006	Oil Drain	1

Notes:

1. Diaphragm kit part# UD-02-8700.45
2. Pump oil 20oz of 30W non-detergent oil
3. Gear box 16oz of 90W gear lube
4. FR-11613PE pump & engine plate sold separately



* Sold Separately

EN-210014 (Recoil for Engine SN≤2530951)
 EN-210020 (Recoil for Engine SN>2530952)

