

50 Gallon Compact (Gas)

ITEM NUMBER 21-85CPXX-P530

Piston Pump

8gpm Capacity

- 50 Gallon Poly Tank
- Stainless Steel Frame
- P530 8gpm Piston Pump
- Manual Start Honda GX-160

- Easy Access Suction Filter
- Jet Agitation
- Air Gap Backflow Prevention
- 8" Lockable Lid

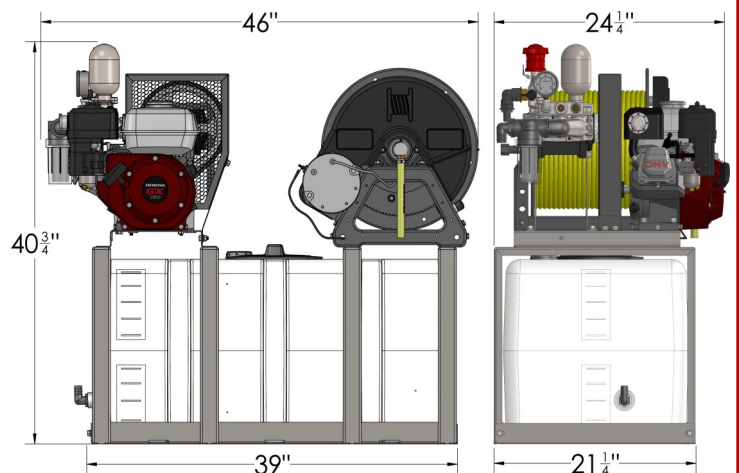


12" Hose Reel and Hose Included in Package

Base Sprayers	Pumps
21-85CPXX-P530	P530 Piston
23-990020	P530 Upgrade to Turn-Key
Sprayer Packages	Includes Reel & Hose
21-85CP92-P530	Hannay 12" Manual 3/8" x 200'
21-85CP96-P530	Hannay 12" Manual 3/8" x 300'
21-85CP82-P530	Hannay 12" Electric 3/8" x 200'
21-85CP86-P530	Hannay 12" Electric 3/8" x 300'
HA-9939-1012	12" Roller Guides Sold Separately

ACCESSORIES

	Sprayer Cover *LARGE* 19"H x 46"L x 21"W GNC Logo	21-200021
	Mag-1 Do-All	11-855-00
	Mag-1 Original	11-852-00
	3/8" Hose 1/2" Hose	FT-QD38TW FT-QD12TW
	Universal Tank Lid Lock	HW-320003



Weight

195 lbs Empty 620 lbs Full
Approx 350 lbs Shipping