

# 100 Gallon Skid

## ITEM NUMBER 21-81PCXX-P530

## Piston Pump 8gpm Capacity

- 100 Gallon Poly Tank
- Stainless Steel Frame with Risers
- P530 8gpm Piston Pump
- Manual Start Honda GX-160

- Easy Access Suction Filter
- Jet Agitation
- Air Gap Backflow Prevention
- 12" Lockable Lid and Tank Basket

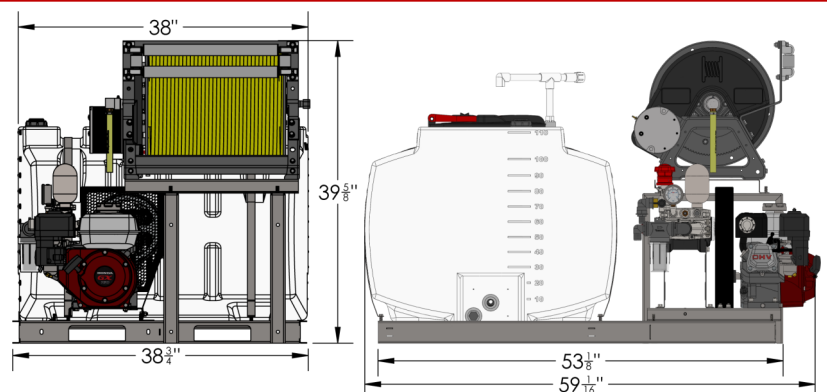


Base Sprayers	Pumps
21-81PCXX-P530	P530 Piston
21-81PCXX-KA43	Kappa 43 Diaphragm
23-990020	P530 Upgrade to Turn-Key
Reel Packages	Reel & Hose
53-HA1526-0	Hannay 18" Manual 1/2" x 300'
53-HA1526-1	Hannay 18" Manual 3/8" x 400'
53-HAE1526-0	Hannay 18" Electric 1/2" x 300'
53-HAE1526-1	Hannay 18" Electric 3/8" x 400'
<b>HA-9939-1018</b>	<b>18" Roller Guides</b>

18" Hose Reel and Hose Sold Separately

## ACCESSORIES

	Sprayer Cover * 20.5"H x 24"L x 19"W	<b>21-200002</b>
	Mag-1 Do-All	<b>11-855-00</b>
	Mag-1 Original	<b>11-852-00</b>
	Mag2000. Kit	<b>11-857-01</b>
	Fits 3/8" Hose Fits 1/2" Hose	<b>FT-QD38TW</b> <b>FT-QD12TW</b>



## Weight

295 lbs Empty      1130 lbs Full  
Approx 485 lbs Shipping