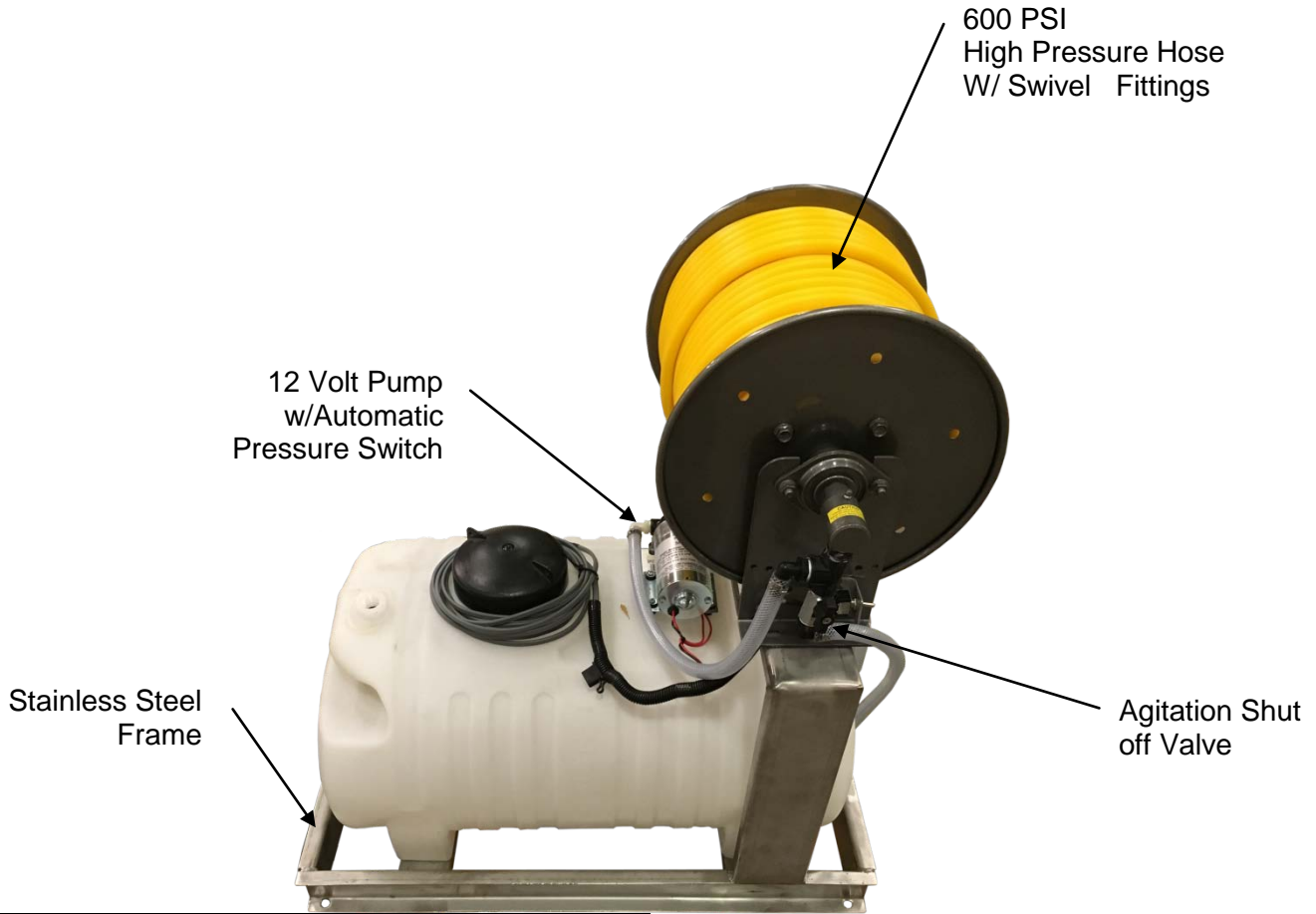
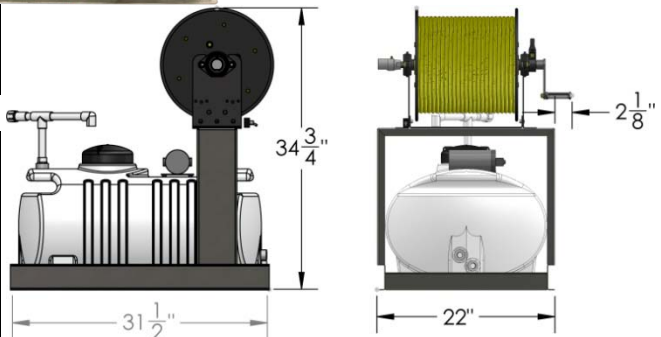


25 Gallon Compact Sprayer



Base Sprayers	Pumps	Max Capacity
21-02CPB2-SH	12 Volt	1.8 GPM/ 100PSI



Standard Features
<ul style="list-style-type: none"> • 25 Gallon Spot Tank W/ 5" Lid • Shurflo 1.8 GPM 12Volt Pump • Stainless Steel Frame • Jet Agitation • Easy Access Suction Filter • Back Flow Prevention • Manual Hose Reel • 200ft of 3/8" Hose • Super Swivel With Viton Seals <p>***Spray Gun Sold Separately***</p>

Optional Accessories	
11-855-00 Mag-1 Do-All	
11-SG-5518-18 18" Pistol Wand	
11-VAU4505.00.0 Economy Wand	