

# 400 Gallon Space Saver

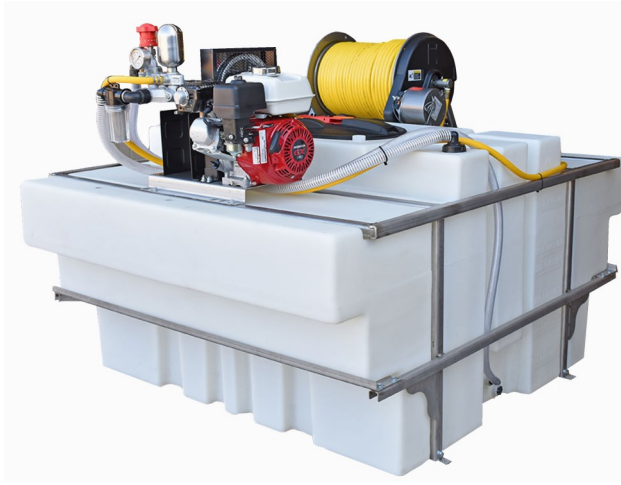
## ITEM NUMBER 21-84SSXX-P530

- 400 Gal Space Saver Tank
- Stainless Steel Frame with Risers
- P530 8gpm Piston Pump
- Manual Start Honda GX-160

## Piston Pump

## 8gpm Capacity

- Easy Access Suction Filter
- Jet Agitation
- Air Gap Backflow Prevention
- 16" Lockable Lid



18" Hose Reel and Hose Sold Separately

Base Sprayers	Pumps
21-8SSXX-P530	P530 Piston
21-84SSXX-KA43	Kappa 43 Diaphragm
21-54SVXX-P530	Upgrade P530 to Turn-Key
Reel Packages	Reel & Hose
53-HA1526-0	Hannay 18" Manual 1/2" x 300'
53-HA1526-1	Hannay 18" Manual 3/8" x 400'
53-HAE1526-0	Hannay 18" Electric 1/2" x 300'
53-HAE1526-1	Hannay 18" Electric 3/8" x 400'
<b>HA-9939-1018</b>	<b>18" Roller Guides</b>

## ACCESSORIES



**22-210000:** Sprayer Cover \*  
20.5"H x 24"L x 19"W



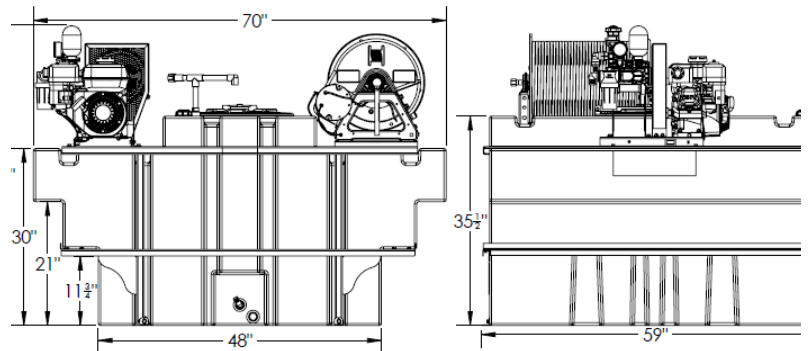
**11-855-00**  
Mag-1 Do-All



Quick Connect Set  
**FT-QD38TW** - 3/8" Hose  
**FT-QD12TW** - 1/2" Hose



**11-852-00**  
Mag-1 Original



## Weight

450 lbs Empty

4000 lbs Full

Approx 550 lbs Shipping