

200 Gallon Turn-Key Space Saver

ITEM NUMBER 21-52SVXX-P530

Piston Pump

8gpm Capacity

- 200 Gal Space Saver Tank
- Stainless Steel Frame
- P530 8gpm Piston Pump
- Electric Start Vanguard 160 Engine

- Pre-Wired, On-Board Self Recharging Battery System
- Jet Agitation
- Air Gap Backflow Prevention
- 16" Lockable Lid



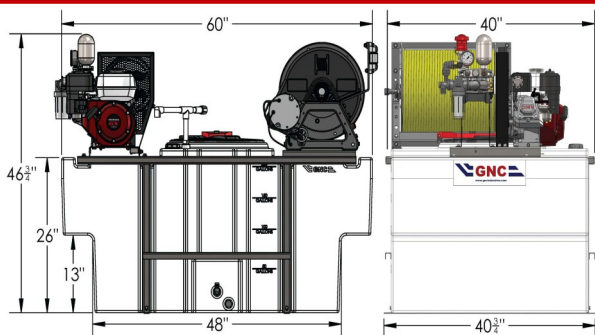
18" Hose Reel and Hose Sold Separately

What Does Turn-Key Mean?

The 18" electric hose reel and the Vanguard160 electric start engine are **PRE-WIRED** to the on-board, lead-acid 12v battery. This **battery is RECHARGED** by the Vanguard engine while the sprayer is operating.

- No wiring to your truck
- Completely portable
- Minimizes potential electrical issues

Also available with P550 Pump/Honda GX390



Weight

340 lbs Empty 2000 lbs Full
Approx 450 lbs Shipping

Optional Accessories

	Sprayer Cover * 20.5"H x 24"L x 19"W	21-200002
	Mag-1 Do-All	11-855-00
	Mag-1 Original	11-852-00
	Fits 3/8" Hose Fits 1/2" Hose	FT-QD38TW FT-QD12TW