

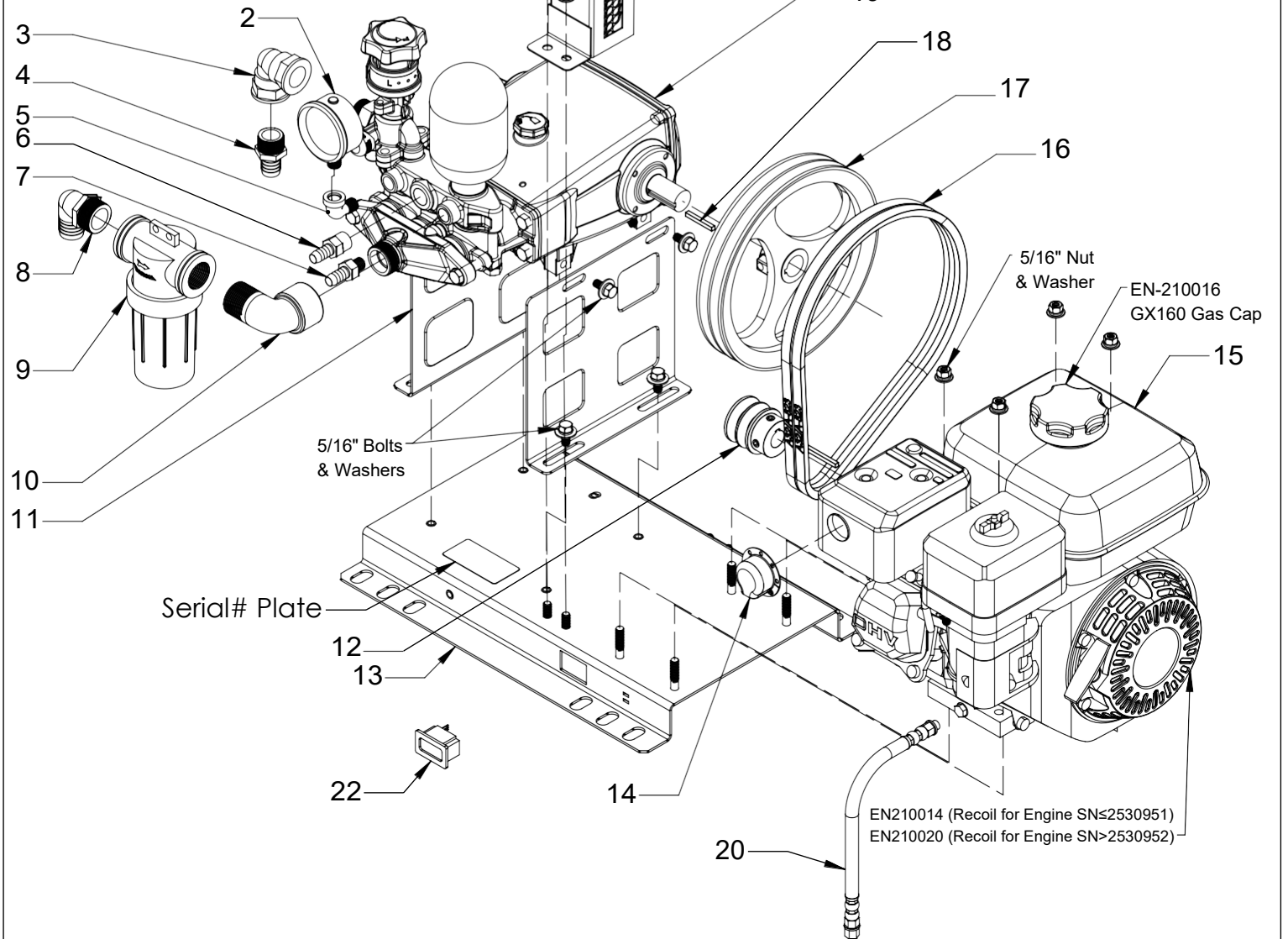


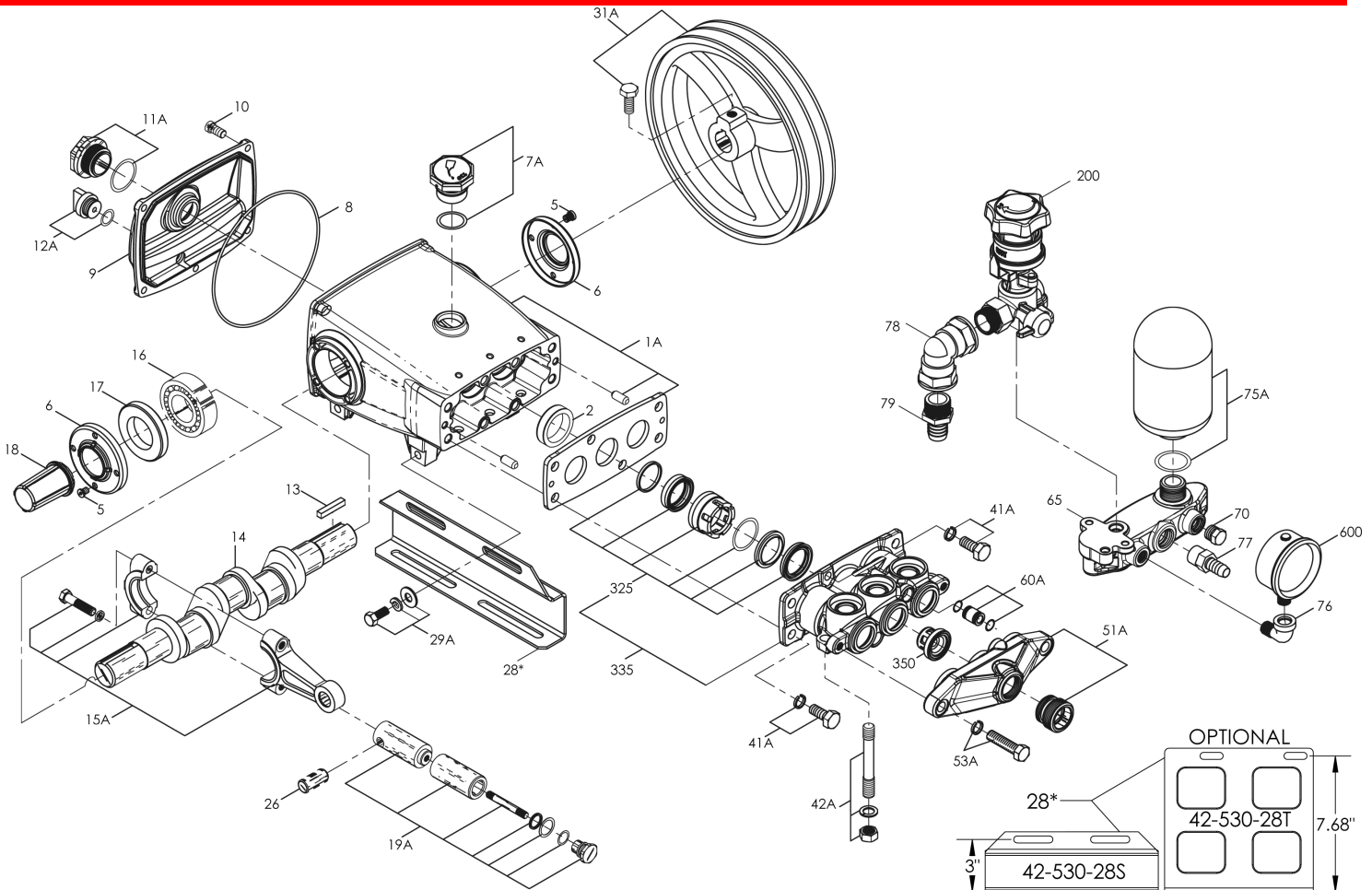
DWG# 43-P530HM55SM

DESCRIPTION: P530 Stack Pump Unit w/ Honda

REV. DATE 11/18/2022

#	PART #	DESCRIPTION	QTY
1	<a href="#">42-900-04</a>	Compact Belt Guard (Black)	1
2	<a href="#">42-950-600</a>	Gauge 0-600psi	1
3	<a href="#">FT-3LL34</a>	3/4"x3/4" FNPT Fitting	1
4	<a href="#">FT-3A34</a>	3/4" MNPT x 3/4" HB Poly Fitting	1
5	<a href="#">FT-GAL-SE14</a>	1/4" Street Elbow	1
6	<a href="#">FT-TW12B</a>	1/2" MNPT x 1/2" HB Swivel	1
7	<a href="#">FT-TW3812B</a>	3/8" MNPT x 1/2" HB Swivel	1
8	<a href="#">FT-3EL100</a>	1" MNPT x 1" HB 90° Poly Fitting	1
9	<a href="#">LS-110100</a>	1" Clear Suction Filter	1
10	<a href="#">FT-3SE100</a>	1" MNPT X 1" FNPT Fitting	1
11	<a href="#">42-530-28T</a>	Tall P530 Pump Stand	1
12	<a href="#">EN-200003</a>	Pulley Engine 2"ODx3/4" Bore	1
13	<a href="#">FR-11613PE</a>	Pump/Engine Plate Small	1
14	<a href="#">EN-210002</a>	Honda Muffler Deflector	1
15	EN-HM55	Honda GX160	1
16	<a href="#">HW-421003</a>	A32 Belt	2
17	<a href="#">42-530-31</a>	P530 9" Pulley	1
18	<a href="#">42-530-13</a>	P530 Keyway	1
19	41-530-000	P530 Pump	1
20	<a href="#">EN-210006</a>	Oil Drain	1
21	<a href="#">42-900-04.01</a>	Bracket (Included with (42-900-04)	1
22	<a href="#">EP-210101</a>	Tach/Hour Meter	1





Ref#	Item #	Description
1A	42-530-01	Crankcase, Set Pins, & Plate
2	<a href="#">42-530-02</a>	Piston Oil Seal
5	42-530-05	Screw For Crankshaft Oil Seal Cover
6	<a href="#">42-530-06</a>	Oil Seal Cover
7A	<a href="#">42-530-07</a>	Oil Inlet Cover
8	<a href="#">42-530-08</a>	Gasket for Rear Crankcase Cover
9	<a href="#">42-530-09</a>	Crankcase Rear Cover
10	<a href="#">42-530-10</a>	Screw for Crankshaft Rear Cover
11A	<a href="#">42-530-11</a>	Oil Window Assembly
12A	<a href="#">42-530-12</a>	Oil Drainage Plug
13	<a href="#">42-530-13</a>	Crankshaft Key
14	42-530-14	Crankshaft
15A	<a href="#">42-530-15</a>	Connecting Rod Assembly
16	<a href="#">42-530-16</a>	Crankshaft Bearing,
17	<a href="#">42-530-17</a>	Crankshaft Oil Seal
18	42-530-18	Crankshaft Cover
19A	<a href="#">42-530-19</a>	Piston Assembly
26	42-530-26	Piston Pin
28*	<a href="#">42-530-28S</a>	Short Pump Stands (pair)
28*	<a href="#">42-530-28T</a>	Tall Pump Stands (pair)

Ref#	Item #	Description
29A	<a href="#">42-530-29</a>	Bolt, Washer, & Lock Washer
31A	<a href="#">42-530-31</a>	Pulley with Bolt Set
41A	42-530-41	Bolt & Lock Washer
42A	<a href="#">42-530-42</a>	Double End Screw, Nut, & Lock Washer
51A	<a href="#">42-530-51</a>	Suction Chamber Assembly
53A	42-530-53	Bolt & Washer
60A	<a href="#">42-530-60</a>	Connecting Hose with O-Ring
65	<a href="#">42-530-65</a>	Outlet Chamber
70	<a href="#">42-530-70</a>	3/8" Brass Plug
75	<a href="#">42-530-75</a>	Air Chamber Surge Tank with O-Ring
76	<a href="#">FT-GAL-SE14</a>	1/4" Street Elbow
77	<a href="#">FT-TW12B</a>	1/2" MNPT x 1/2" HB Swivel
78	<a href="#">FT-3LL34</a>	3/4"x3/4" FNPT Fitting
79	<a href="#">FT-3A34</a>	3/4" MNPT x 3/4" HB Poly Fitting
200	<a href="#">43-530-200</a>	Pressure Regulator Assembly
335	<a href="#">43-530-335</a>	Cylinder Head w/ Preinstalled Packing
350	<a href="#">43-530-350</a>	Replacement Valve Kit (6pcs)
NA	<a href="#">43-530-380</a>	Rebuild Kit (ref #s 350 & 325)
NA	<a href="#">43-530-400</a>	Master Rebuild Kit (ref #s 350 & 335)
600	<a href="#">42-950-600</a>	0-600psi Pressure Gauge