

# 100 Gallon Low Profile Skid

## ITEM NUMBER 21-81LPXX-P530

## Piston Pump

## 8gpm Capacity

- 100 Gallon Poly Tank
- Stainless Steel Frame
- P530 8gpm Piston Pump
- Manual Start Honda GX-160

- Easy Access Suction Filter
- Jet Agitation
- Air Gap Backflow Prevention
- 10" Lockable Lid

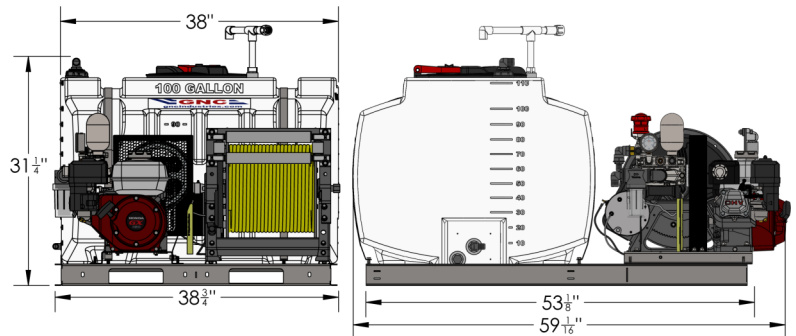


Base Sprayers	Pumps
21-81LPXX-P530	P530 Piston
21-81LPXX-KA43	Kappa 43 Diaphragm
23-990020	Upgrade P530 to Turn-Key
Reel Packages	Reel & Hose
53-HA1520-2	Hannay 12" Manual 3/8" x 200'
53-HA1520-6	Hannay 12" Manual 3/8" x 300'
53-HAE1520-2	Hannay 12" Electric 3/8" x 200'
53-HAE1520-6	Hannay 12" Electric 3/8" x 300'
HA-9939-1012	<b>12" Roller Guides</b>

12" Hose Reel and Hose Sold Separately

### ACCESSORIES

	Sprayer Cover * 20.5"H x 24"L x 19"W	<b>21-20002</b>
	Mag-1 Do-All	<b>11-855-00</b>
	Mag-1 Original	<b>11-852-00</b>
	Mag2000. Kit	<b>11-857-01</b>
	Fits 3/8" Hose Fits 1/2" Hose	<b>FT-QD38TW</b> <b>FT-QD12TW</b>



### Weight

275 lbs Empty

1105 lbs Full

Approx 475 lbs Shipping